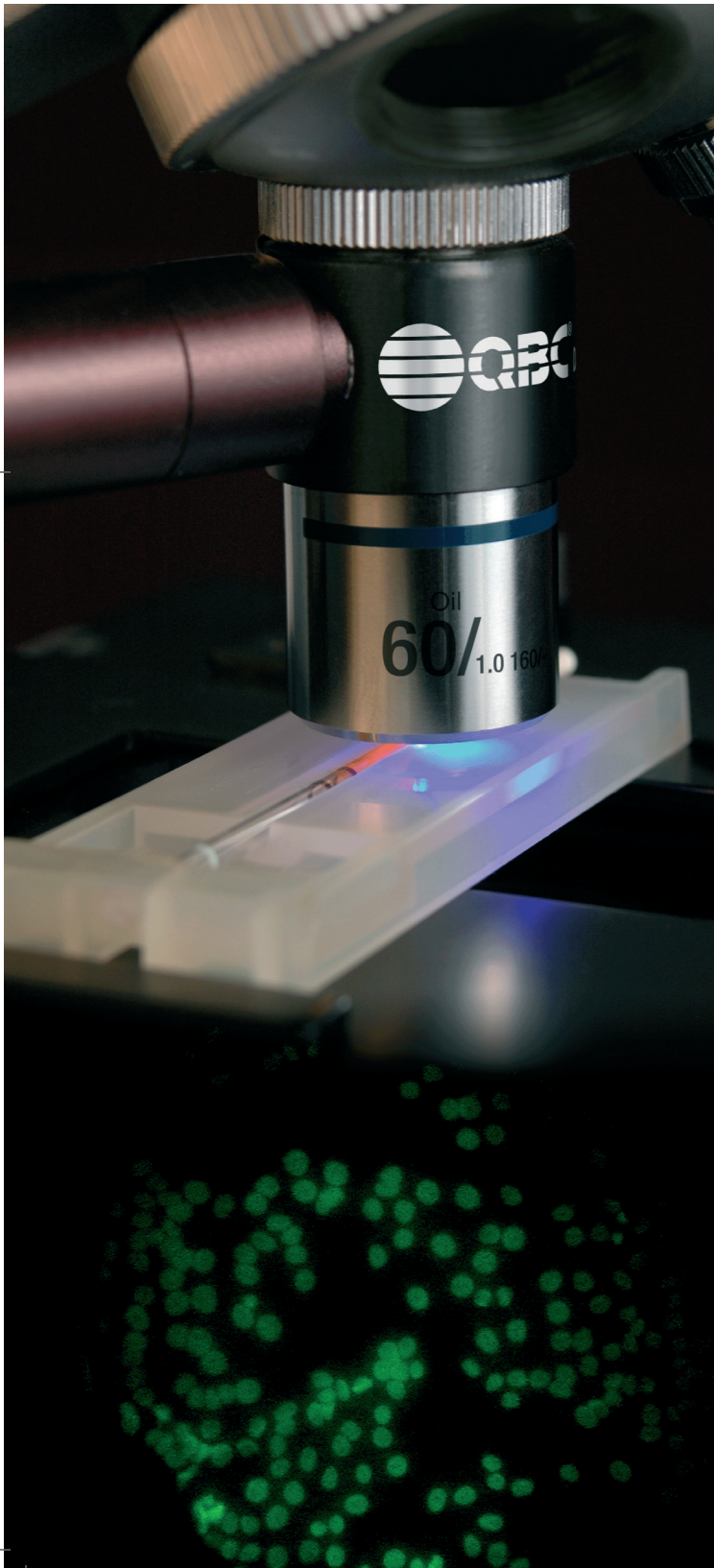


Fluorescence Microscopy
At a fraction of the cost



ParaLens®

Microscope Adapter

Detects Tuberculosis,
Malaria, Trypanosomes
and other blood-borne
parasites

Fluorescence microscopy is one of the most sensitive methods for Malaria and Tuberculosis diagnosis, as well as hundreds of other infectious diseases.

Until now, fluorescence microscopy technology has been too expensive for many clinics to own. The ParaLens converts a standard microscope to a fluorescence scope inexpensively and as easily as changing an objective!

The QBC ParaLens microscope attachment combines the ease of use associated with a standard transmittance microscope and the diagnostic capabilities of an epifluorescence microscope.

The ParaLens microscope adapter allows for portable epifluorescence capabilities with diagnostic reliability, sensitivity, predictability, and stability in one economic package.

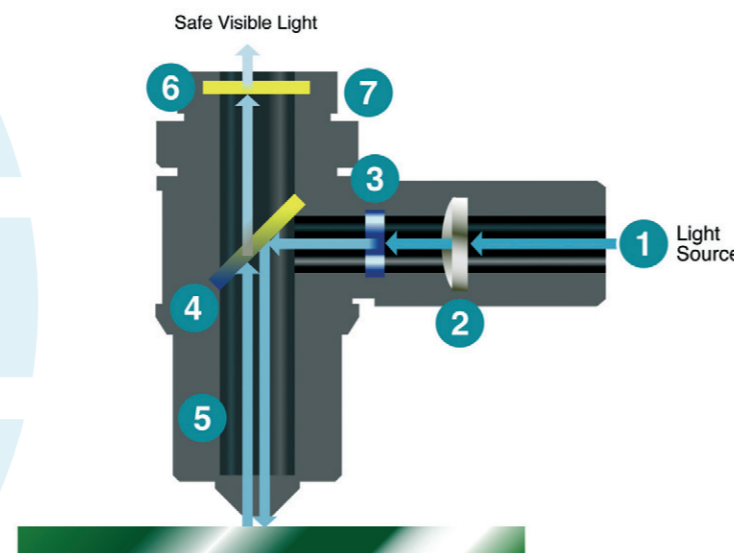
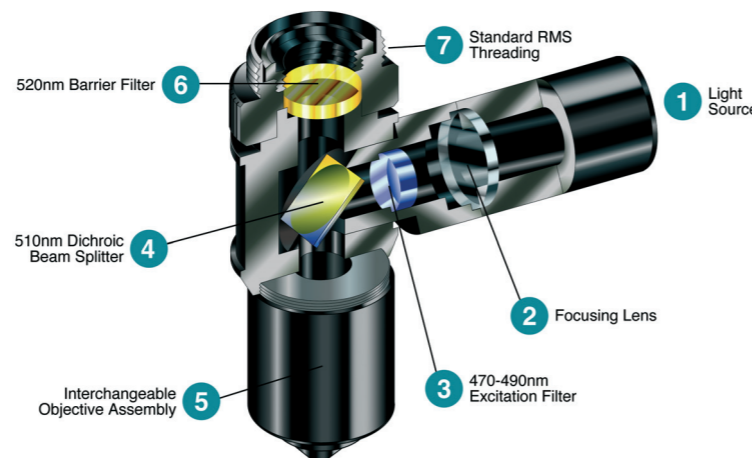
Used with your conventional microscope, the ParaLens is a convenient microscope attachment enabling you to significantly expand your laboratory's diagnostic, educational, or research capabilities.

ParaLens[®] Microscope Adapter

Fluorescence Capabilities for most Standard Light Microscopes



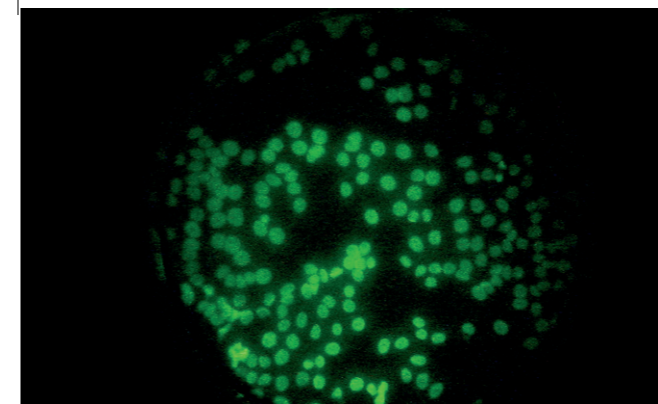
1. Light Source - transmits blue light to the focusing lens. *Your choice of ParaLume (standard) or OptiLume (optional)*
2. Focusing Lens - passes blue light from the illuminator to the excitation filter.
3. Excitation Filter - passes light in the 470-490nm wavelength while eliminating other wavelengths for optimum fluorescence.
4. Dichroic Beam Splitter - reflects excitation radiation downward with high efficiency; fluorescence emitted from the specimen is transmitted almost entirely upward.
5. Interchangeable Objective Assembly - multiple dry and oil objectives available: 40x dry, 60x oil, 100x oil.
6. Barrier Filter - suppresses residual radiation; assures that only safe, visible fluorescent light reaches the eyes of the microscopist.
7. Standard Royal Microscopic Society Threading - assures adaptability to most standard light microscopes.



The QBC STAR, Autoread Plus and ParaLens offer the most cost-effective means to achieve excellence in Point-of-Care hematology testing by providing:

- Better outcomes
- Increased patient satisfaction
- Increased physician efficiency
- Attractive economics

The QBC systems deliver the technology leading the way in Point-of-Care haematology.



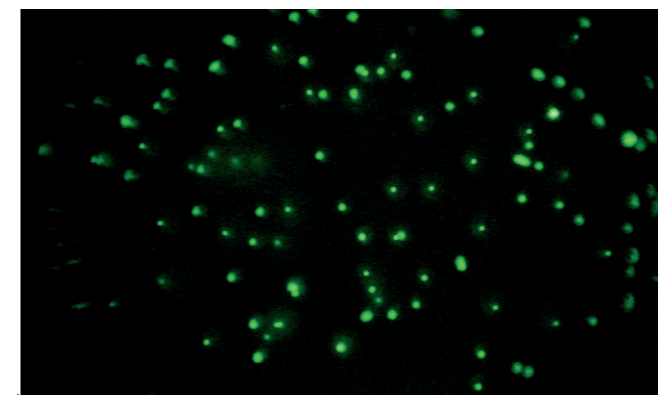
HeLa cells stained with fluorescent labelled anti-nuclear antigen antibodies

Reported Diseases / Pathogens Detected

(include but not limited to):

- Malaria (*P. falciparum*, *P. vivax*, *P. malariae*, *P. ovale*)
- Babesiosis (*B. microti*, *B. bigemina*)
- Trypanosomiasis (*T. brucei*, *T. gambiense*, *T. rhodensiense*, *Crithidia species*, *T. cruzi*)
- Filariasis (*W. bancrofti*, *B. malayi*, *Loa loa*, *M. ozzardi*, *M. perstans*, *M. streptocerca*, *A. perstans*, *D. immitis*)
- Borrelia (*B. duttonii*, *B. crocidurae*)
- Eperythrozoon
- Brucellosis (*B. abortus*, *B. melitenis*, *B. orvis*, *B. susis*, *B. canis*)
- Trichomoniasis (*Trichomonas Vaginalis*)
- Gonorrhoea (*Neisseria Gonorrhoeae*)
- Pneumocystis (*P. carinii*)
- Rabies
- Mycobacteria (*M. avium*, *M. intracellulare*, *M. tuberculosis*, *M. marium*, *M. kansasii*, *M. scrofulaceum*)
- Chlamydia trachomatis
- Leptospirosis (*Leptospira*)
- Visceral leishmaniasis (*L. chagasi*, *L. donovani*)
- Cytomegalovirus (CMV)
- Antinuclear antibodies (ANAs)

Xum yellow-green fluorescent microspheres from Invitrogen Corporation



Fluorocromes Compatible with System

(include but not limited to):

1. FITC
2. Auramine O
3. Acridine Orange
4. Acridine Yellow
5. Phycoerythrin

The ParaLens adapter transforms your laboratory's conventional microscope into a fluorescence microscope - expanding diagnostic capabilities at a fraction of the cost of a dedicated fluorescent microscope. The ParaLens fulfills your laboratory's need for increased diagnostic capability and cost effective testing.

Clinical Laboratories:

Obtain test results in a timelier manner while increasing revenues.

Microbiologists:

Increase fluorescence capabilities in the microbiology department and supplement over-utilised fluorescence microscopes.

Mobile Laboratories:

Diagnostic reliability, sensitivity, predictability and stability combined in one economic package to provide you with portable epifluorescence capabilities.

Academic Laboratories:

Make an affordable fluorescence microscope available to each student.

Industry:

Develop multiple microscopy sites for cost-effective specialised fluorescence applications.

For more information visit:
www.qbceurope.com

ParaLens® Microscope Adapter



Fluorescence Microscopy At a fraction of the cost

- Compatible with 100-250V/50-60 Hz systems
- Standard Royal Microscopic Society threading - assures adaptability to most standard light microscopes.
- Adapter now available to fit the objective to infinity microscopes
- Interchangeable objective assembly - multiple dry and oil objectives available.
- Excitation Filter - passes light at 470- 490 nm wavelength while eliminating other wavelengths for optimum fluorescence.
- 520 nm wavelength barrier filter - suppresses residual radiation; assures that only safe, visible fluorescence reaches the eyes of the microscopist.
- Optimally designed for stains that are excited by blue light and fluoresce green



Now easily transportable in the new carrying case format

"It is the mission of QBC® Europe to become the premier supplier of Point of Care Haematology testing equipment to Europe, Africa and the Middle East via its distribution partners. Whilst developing this position, the Company's reputation for delivering outstanding service and value will continue to be enhanced and maintained. "

Included:

- ParaLens adapter
40X dry or
60X oil or
100X oil
- ParaLens light source
ParaLume (standard) or
OptiLume (also available)
- Power pack w/adapters
(100-240V; -0.4A; 47-63HZ)
Optional 12V battery adapter
Optional solar powered battery
charger
- ParaViewer
- Malaria tube starter kit
- QBC workstation
- Manual
- Immersion oil
- Screwdriver
- Carrying case

sales@qbceurope.com
www.qbceurope.com



WOODLEY
EQUIPMENT COMPANY LTD.
Medical, laboratory and veterinary equipment



A Division of Woodley Equipment Company Ltd
Locomotive House, Locomotive Industrial Estate,
Horwich, Bolton, Lancashire, BL6 5UE, United Kingdom

Tel: +44 (0) 1204 460446 Fax: +44 (0) 1204 692198